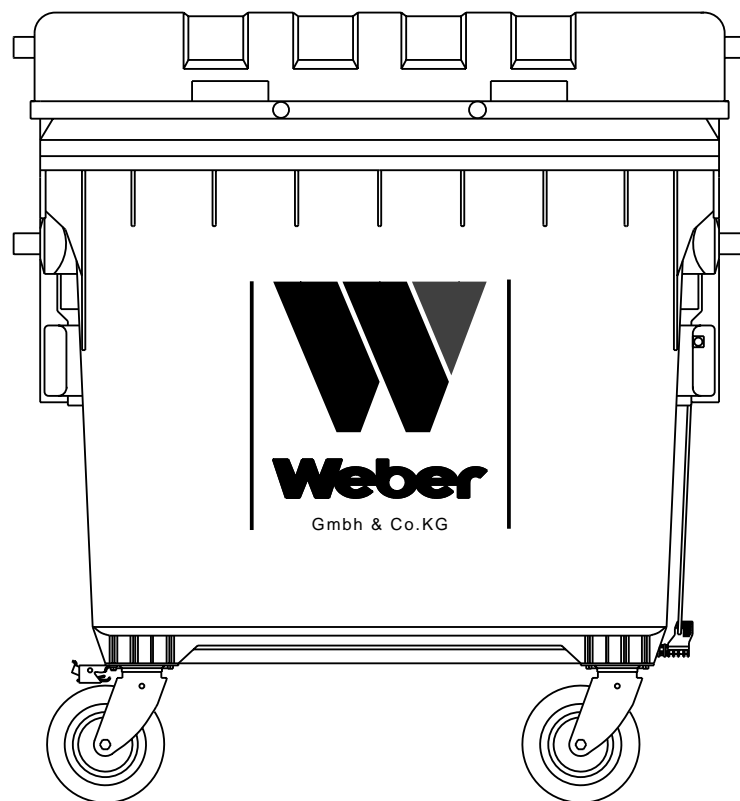


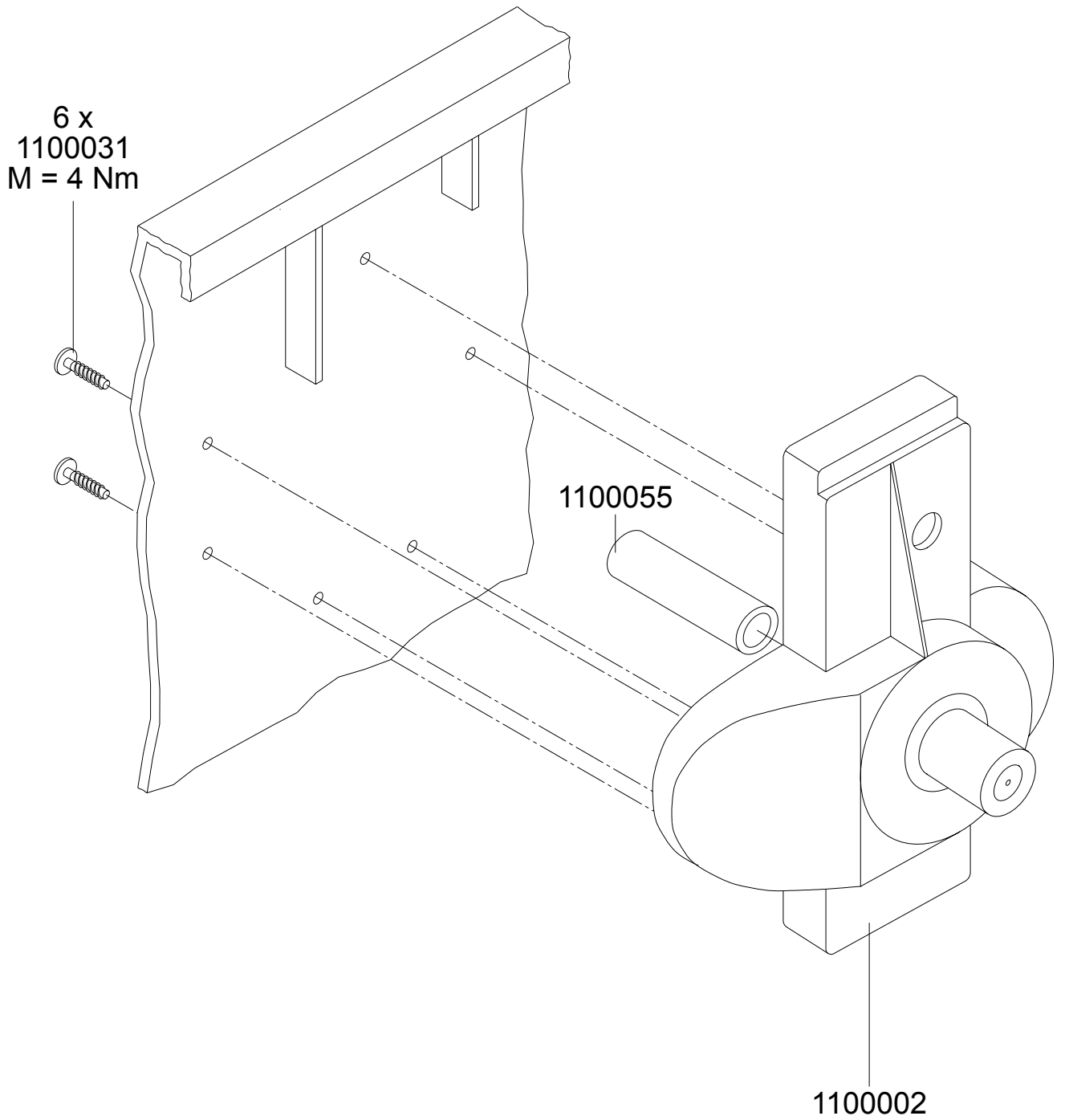
Assembly Manual

MGB 1100 Round Lid



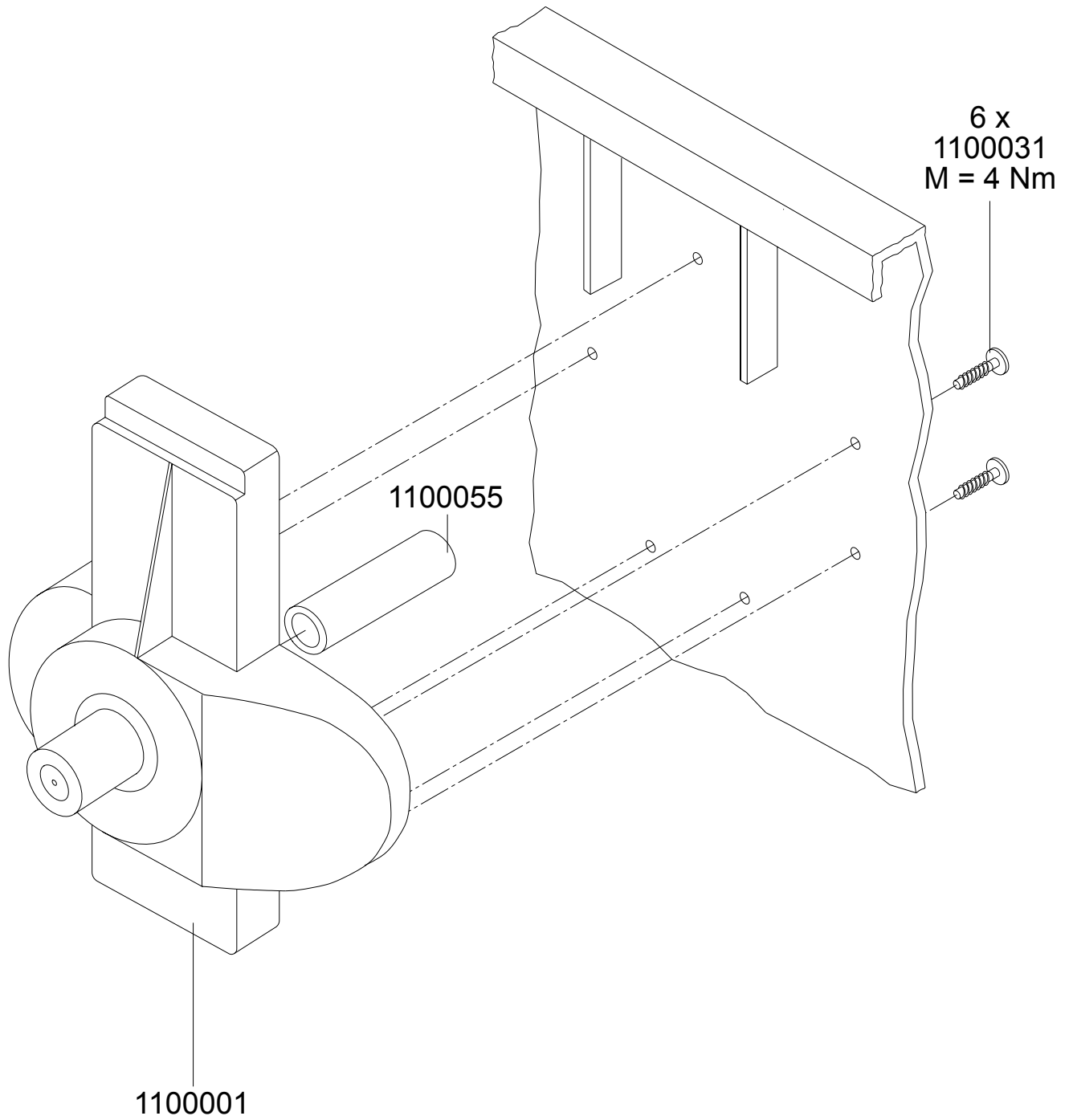
Weber GmbH & Co.KG, Bergische Straße 10-14, D - 42781 Haan
Tel: +49/2129/9362-0 Fax: +49/2129/9362-30

Lifting trunnions, right



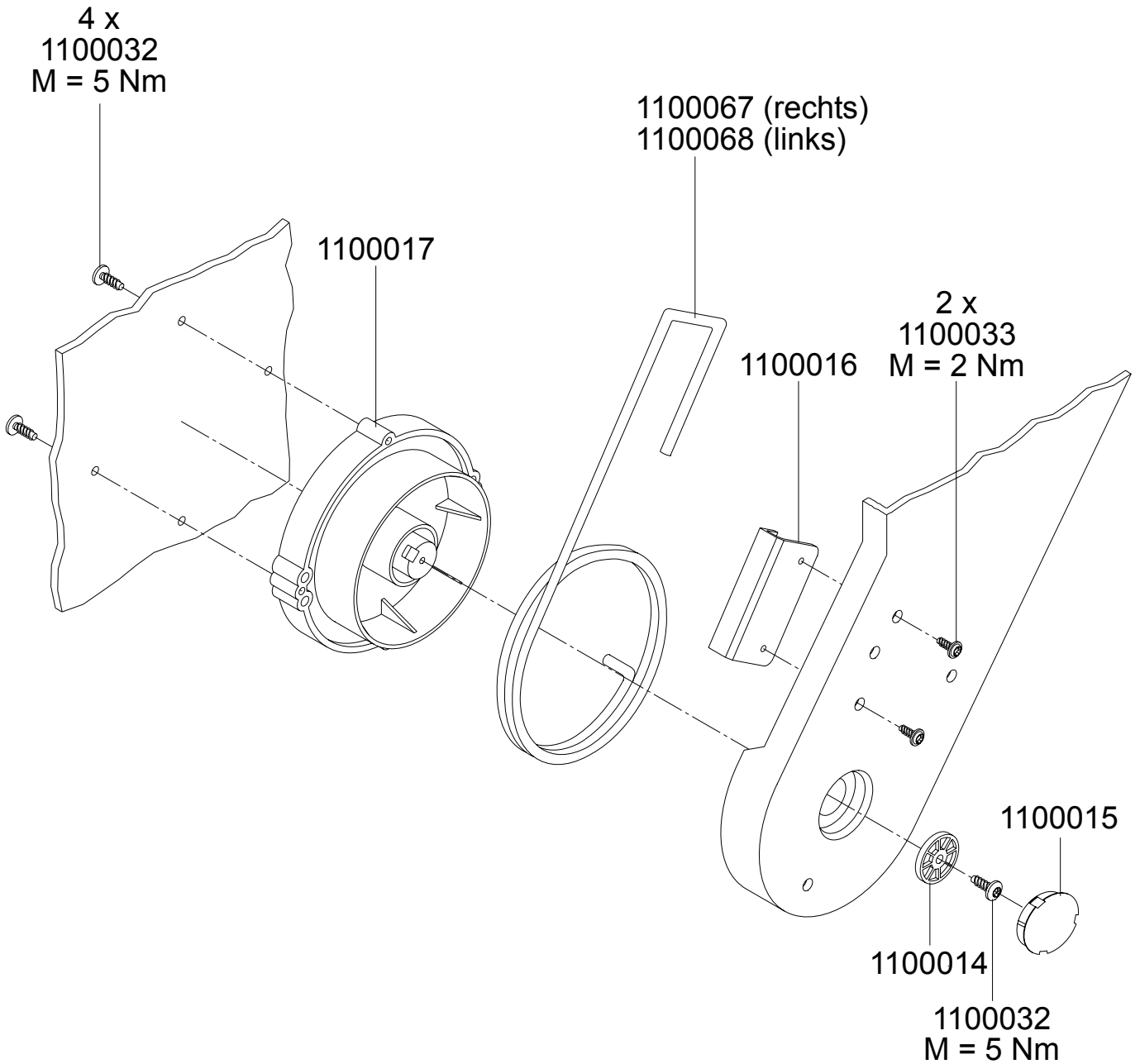
- 1100002 Lifting trunnion, right
- 1100055 Lifting trunnion insert
- 1100031 Screw 7x30

Lifting Trunnions, left



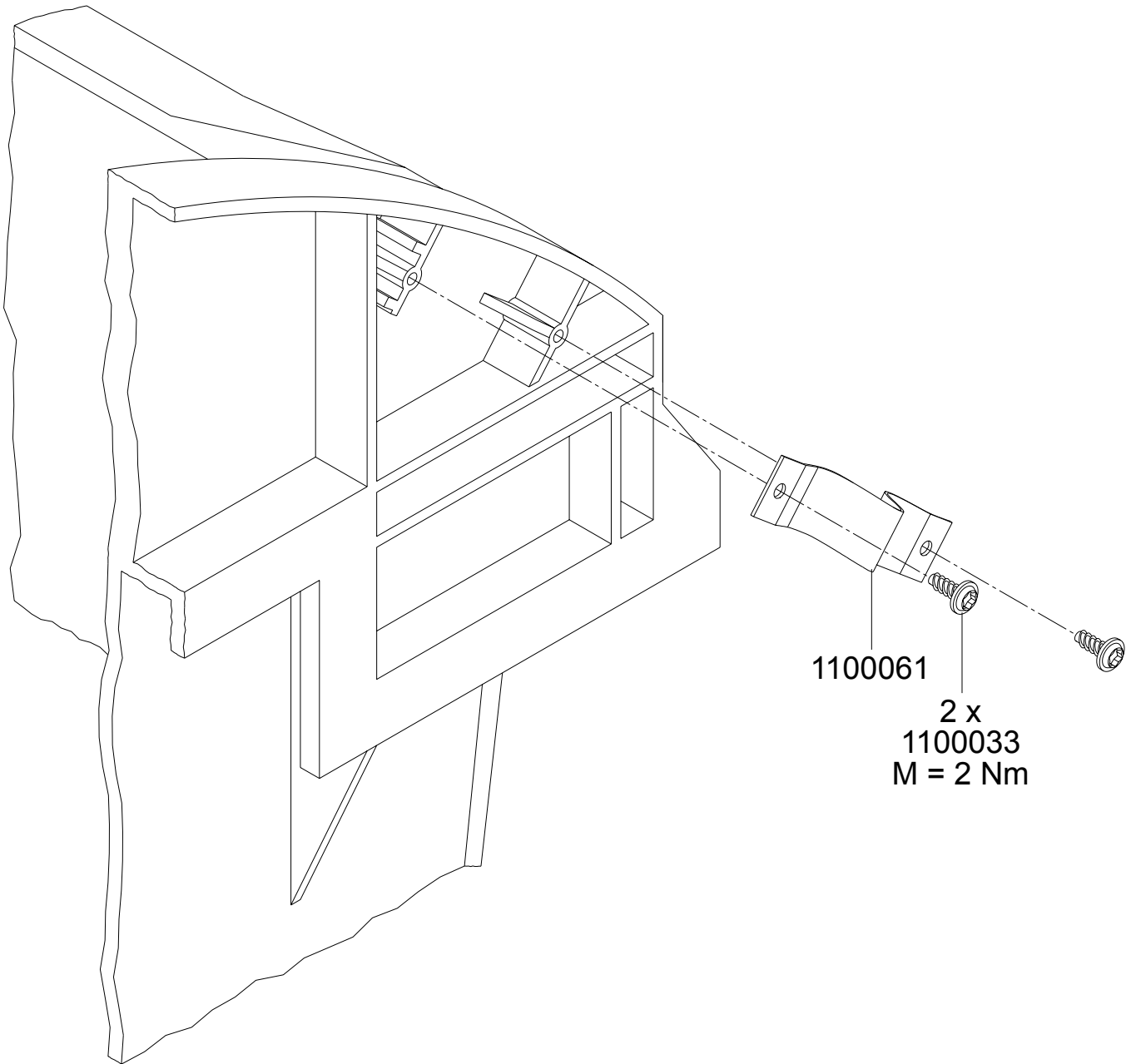
- 1100001 Lifting trunnion, left
- 1100055 Lifting trunnion insert
- 1100031 Screw 7x30

Lid Bearing



- 1100014 Washer
- 1100015 Cover
- 1100016 Spring holder
- 1100017 Lid Bearing
- 1100032 Srew 7x20
- 1100033 Screw 6x16
- 1100067 Spring left
- 1100068 Spring right

Spring

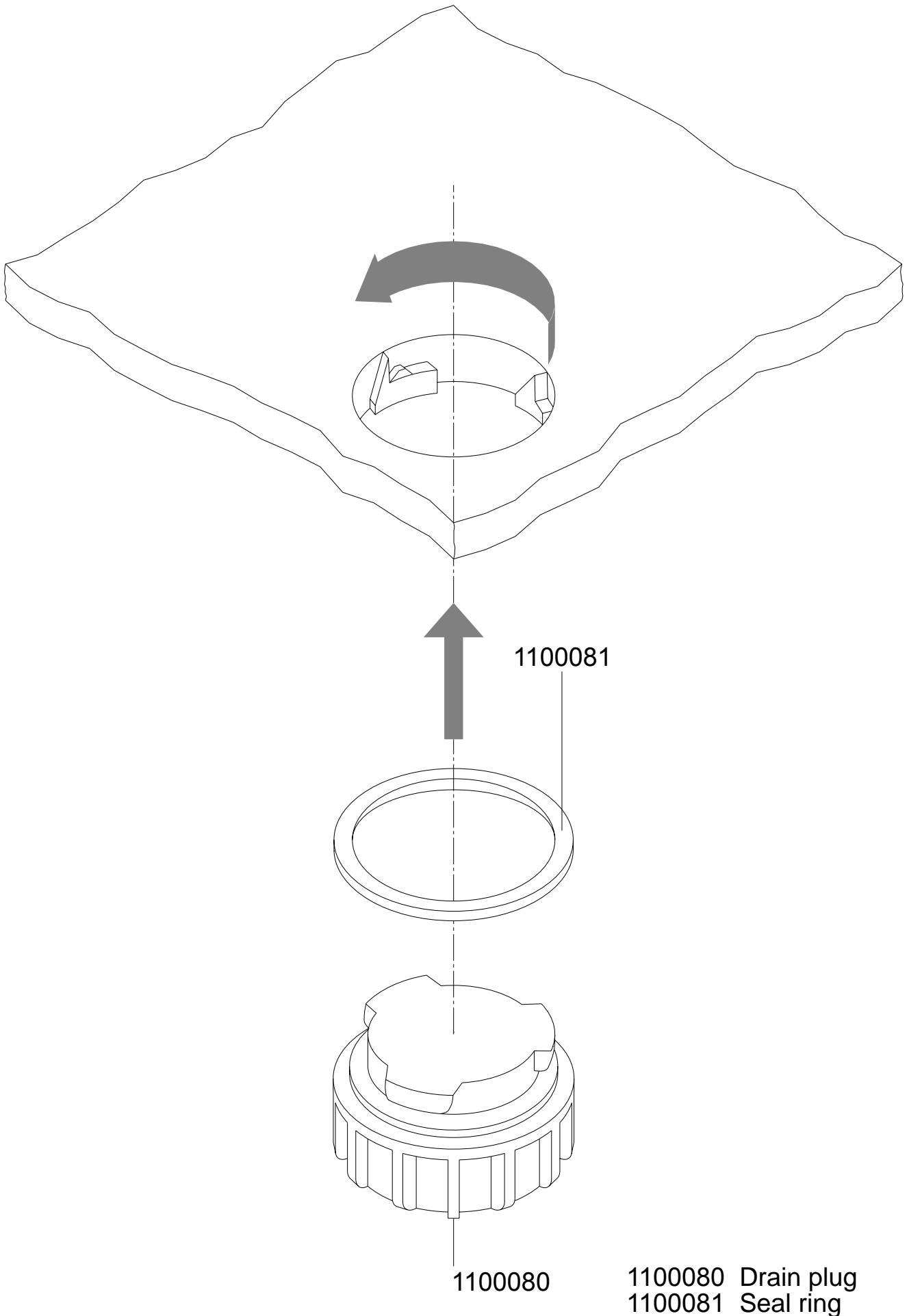


1100061

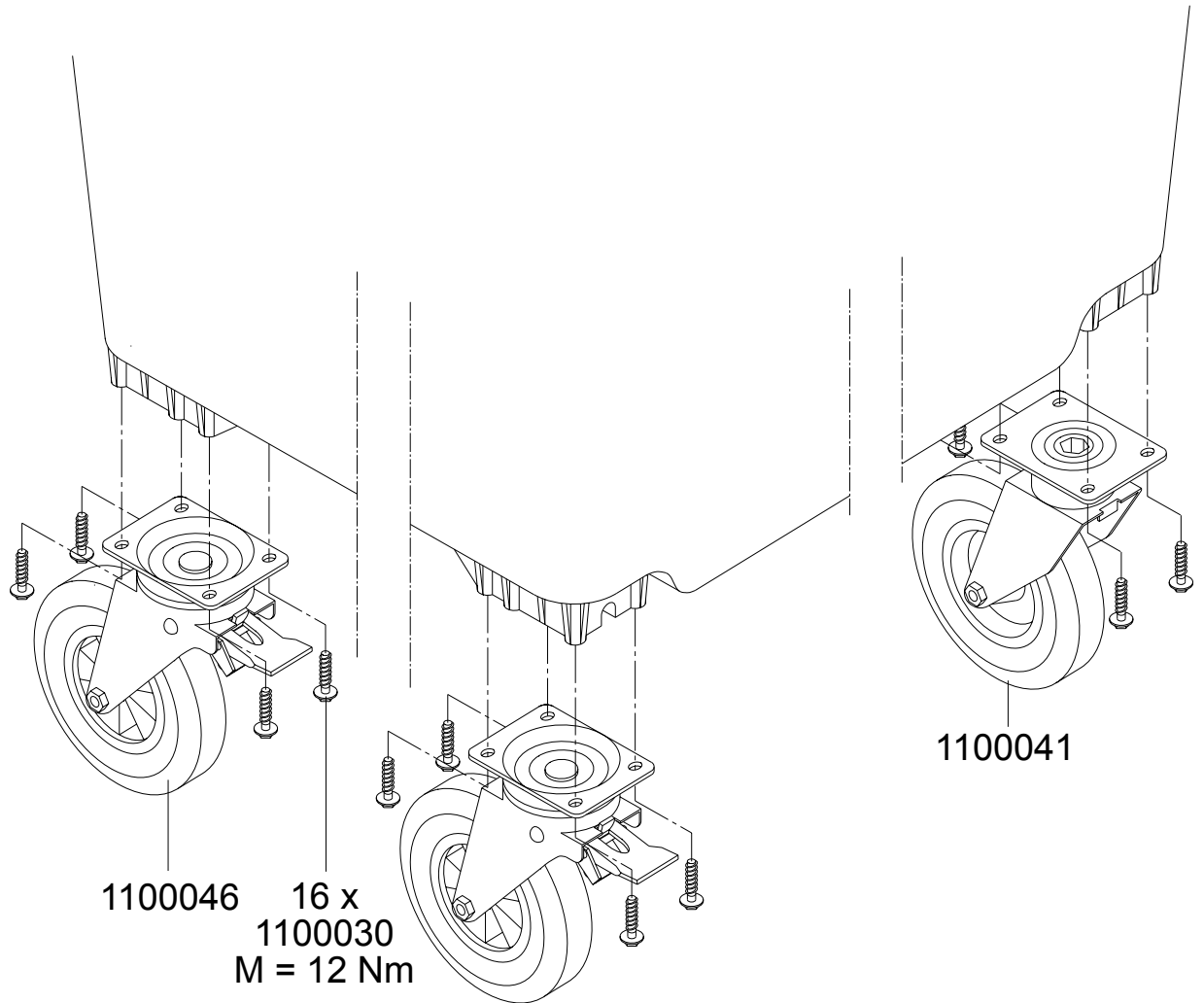
2 x
1100033
M = 2 Nm

1100033 Screw 6x16
1100061 Lid Spring

Bottom Fastening



Wheels



- 1100030 Screw 10x40
- 1100041 Wheel without brake
- 1100046 Wheel with brake